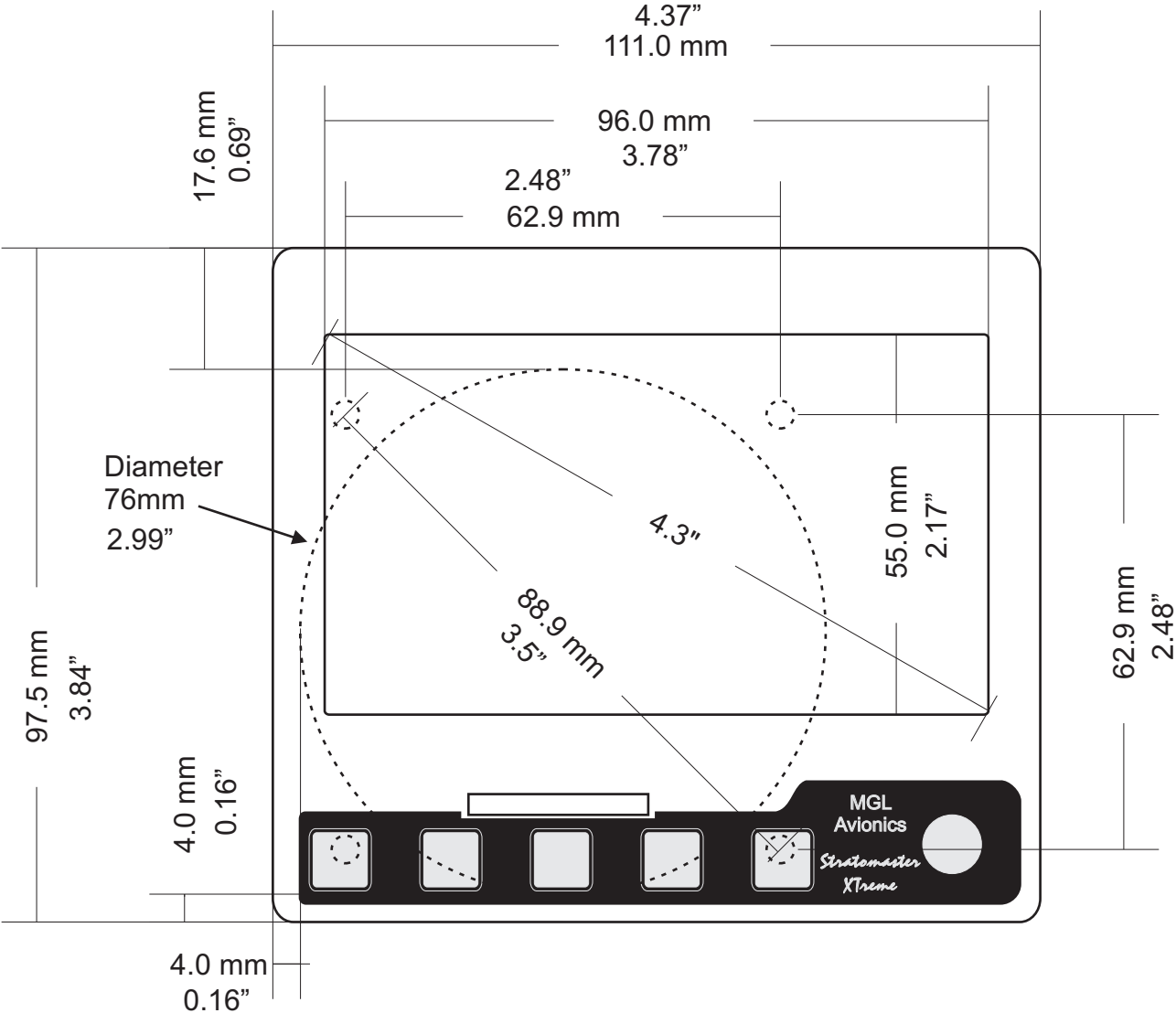


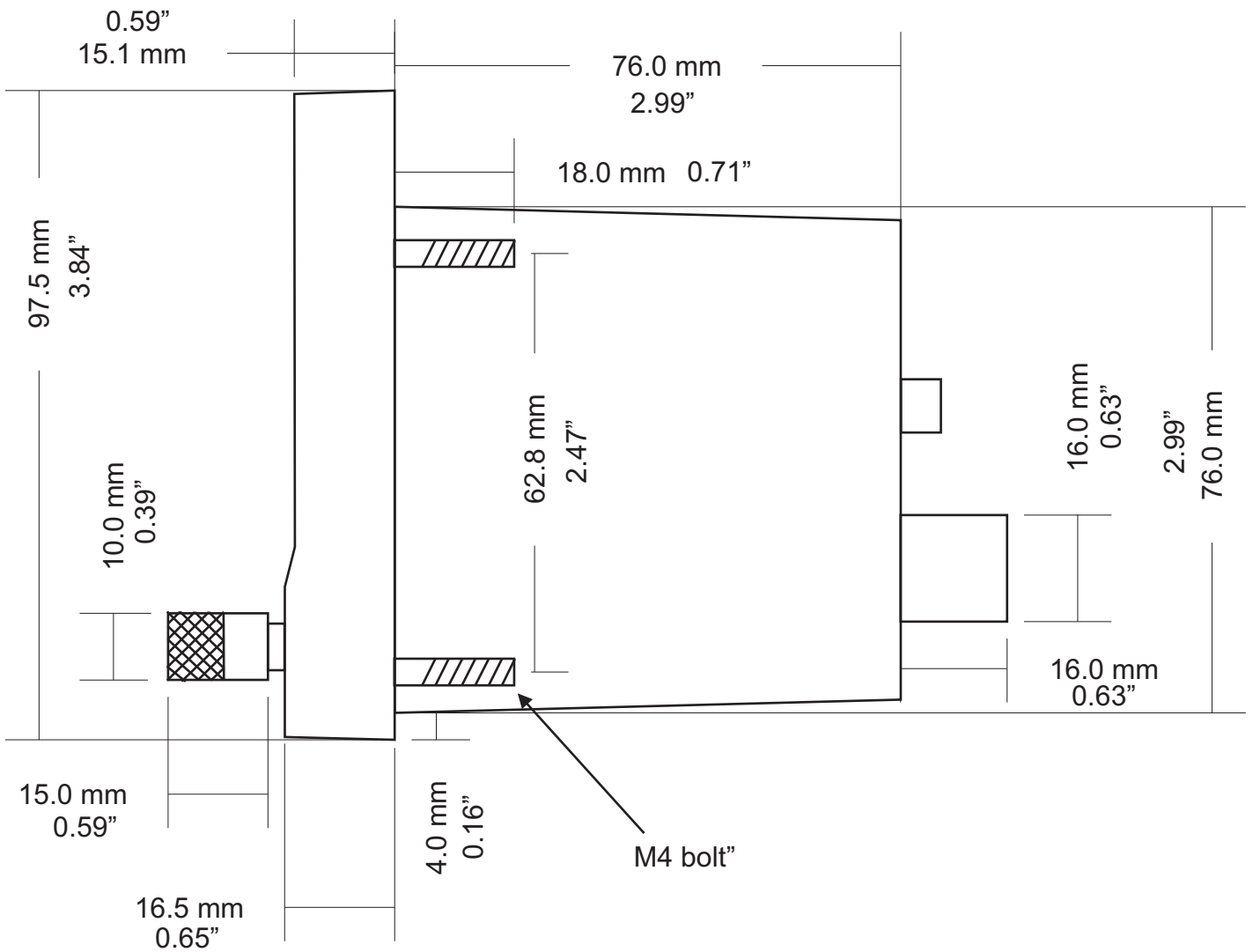
# Stratomaster XTreme

Dimensions - English 1.00

**FRONT VIEW**



**SIDE VIEW**



**TOP VIEW**

